

Technical Data:

Material:

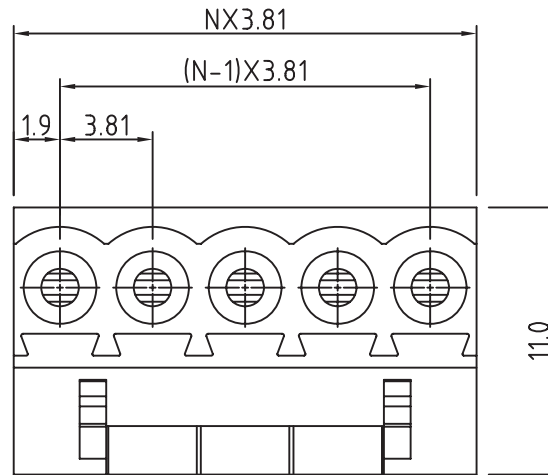
- Contact(metal housing): Brass Machined(Option)
- Terminal screw: Steel Galvanized and chromitized
- Wire guard: PhBZ,Tin plated.
- Insulator body(housing): Polyamide(Glass filled)(UL94V-0)

Electrical

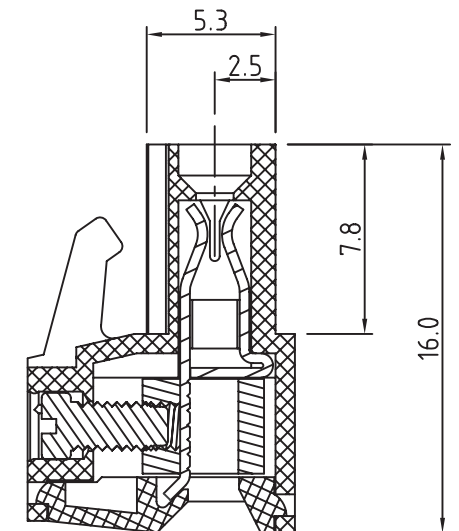
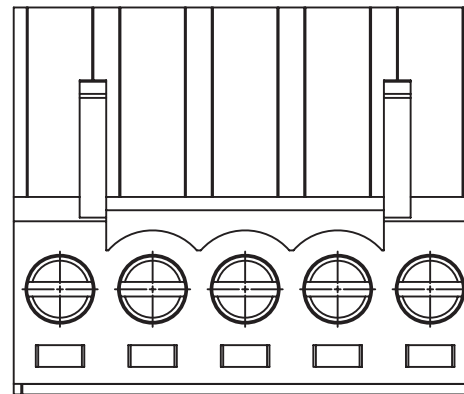
- Voltage rating: 300VAC
- Current rating: 8Amps/way max
- Contact resistance: 20mΩ(max)
- Insulation resistance: 5000MΩ/1000V
- Withstanding Voltage: 1500VAC(1min) Test time=60sec/1pcs
- Wire range: 16-28AWG

Mechanical:

- Torque: 2kgf.cm/M2
- Operating temperature: -30°C to +105°C



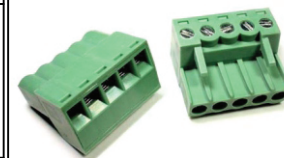
N=Number of contacts.



DRAWING BY CY	
CHECKED BY GENIUS	
UNIT / mm	SCALE 1 : 1
DATE	
SIZE A4	PJECTION

TOLERANCES ARE

- X. ±
- .X ±
- .XX ±
- .XXX ±
- ANG ±



ORDER INFORMATION

SVM2500SW-3.81-xx

DESCRIPTION: