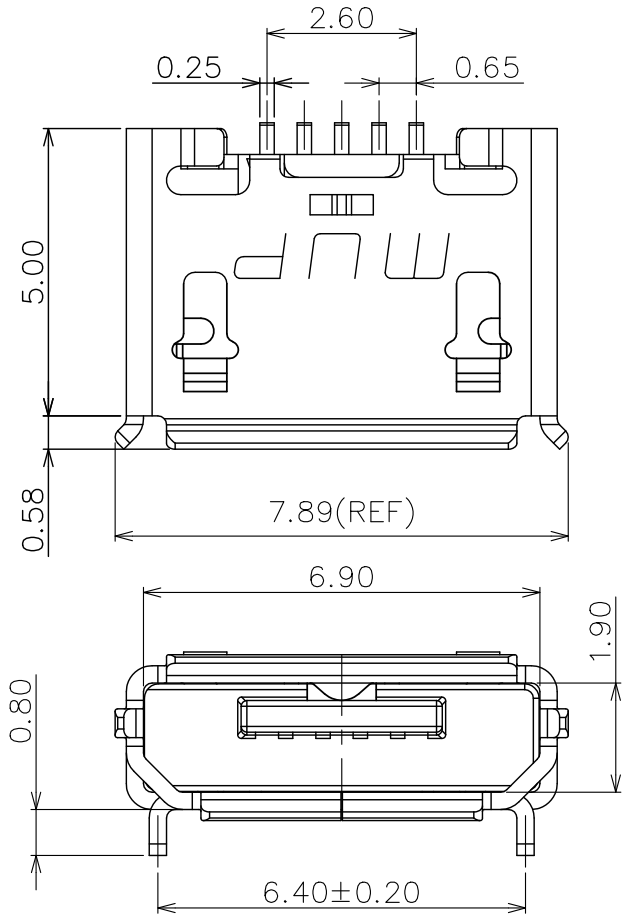
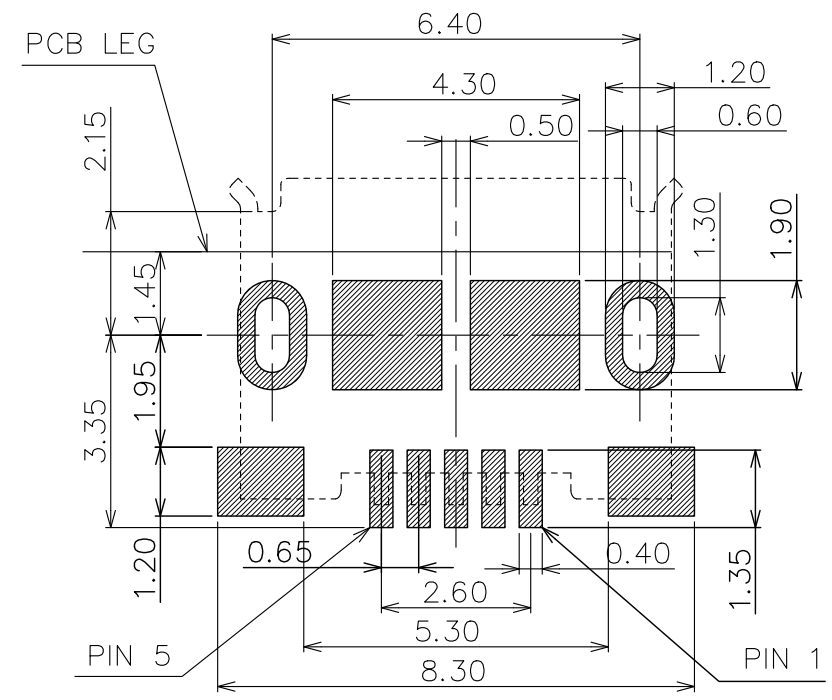
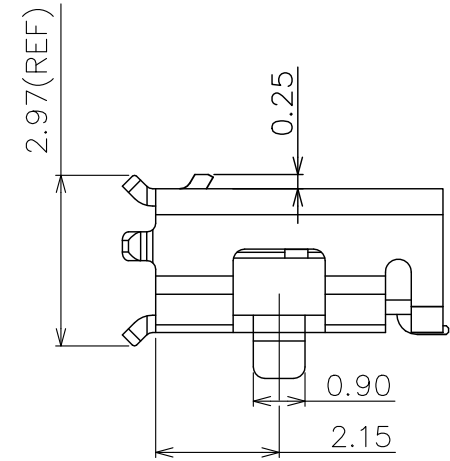


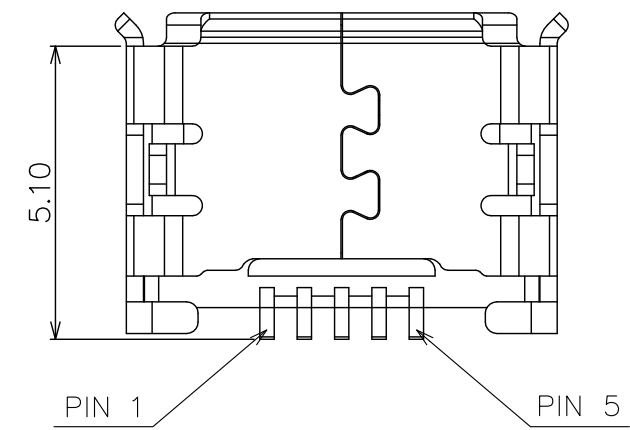
REV.	DESCRIPTION OF REVISIONS	APPR.	DRAW.	RELEASE	DATE
X1					
X2					



PIN ASSIGNMENT	
PIN	NAME
1	VBUS
2	D-
3	D+
4	ID
5	GND



RECOMMENDED P.C.B LAYOUT  
COMPONENT SIDE (TOLERANCE ±0.05)



**TECHNICAL CHARACTERISTICS**

1.General Characteristics  
 Dimensions: 7.90LX5.70WX2.90H mm  
 Durability: 5,000 cycles min.

2.Electrical Characteristics  
 Contact resistance: 30mΩ max  
 Insulation resistance: >100MΩ/500V DC

3.Solderability  
 Vaporphase: 215°C, 30sec.Max  
 IR reflow: 250°C, 5sec.Max  
 Manual soldering: 370°C, 3sec.Max

4.Environmental Characteristics  
 Operating temperature: -40°C~+85°C  
 Operating humidity: 10%~+95%RH

ITEM	PART NAME	Q'TY	MATERIAL	FINISH
1	HOUSING	1	Hi-temp Thermoplastic	Black UL94V-0
2	SHELL	1	Stainless steel	Ni plated over all
3	TERMINAL	5	Copper Alloy	Contact area: Gold plated

Unless otherwise specified, other tolerance are:

**MUP<sup>®</sup> MUP INDUSTRIAL CO.,LTD.**

NAME: **Micro USB Connector**

MODEL NO: **MUP-U521-4**

TYPE: **W/O post(DIPX2+SMTX2)**

PROJ.	UNIT	SCALE	DRAWN	Jimmy May.23.2013	DWG NO.:
①	MM	1:1	CHECKED	Zoey May.23.2013	DWG-MUP-U521-004
CUSTOMER DRAWING			APPROVAL	Simon May.23.2013	SHEET
					1/1
					REVISION
					X1

