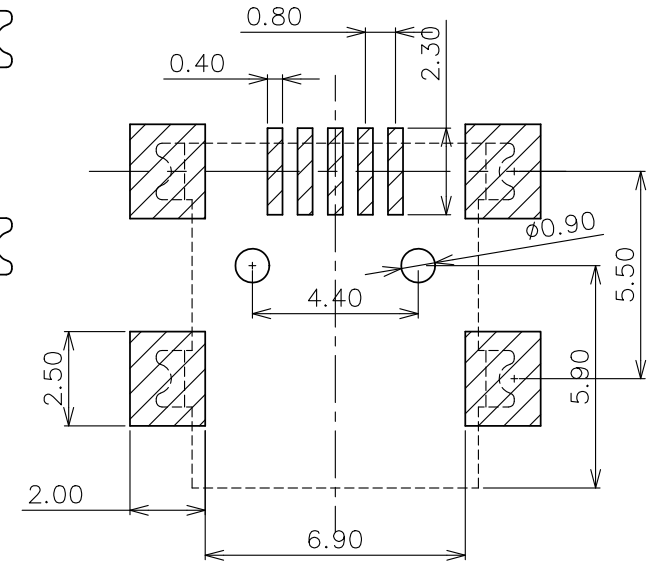
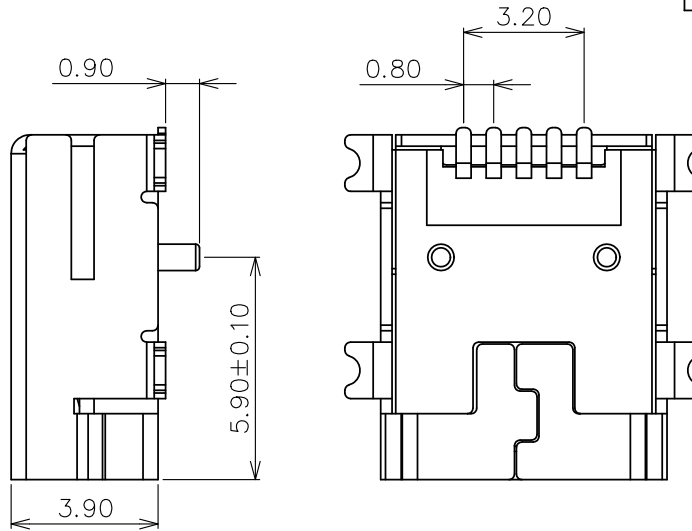
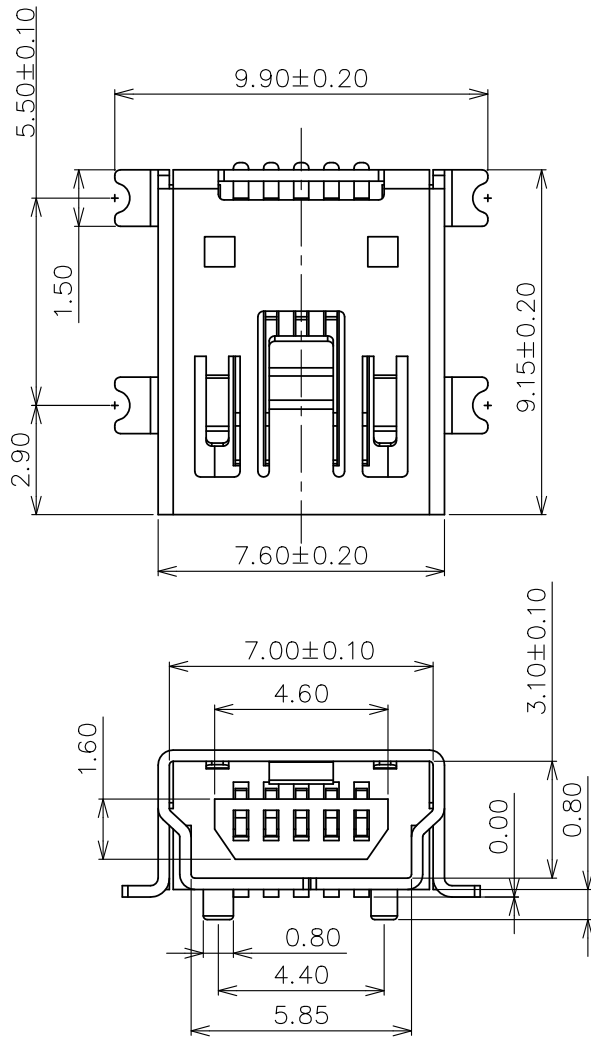


REV	DESCRIPTION OF REVISIONS	APPR	DRAW	RELEASE	DATE
X1					
X2					



RECOMMENDED P.C.B LAYOUT
COMPONENT SIDE(TOLERANCE ±0.05)

TECHNICAL CHARACTERISTICS

1.General Characteristics

Dimensions: 9.20LX7.70WX3.90H mm

Weight: Approx 0.30±0.1g

Durability: 5,000 cycles min.

2.Electrical Characteristics

Contact resistance: 50mΩ typical, 100mΩ max

Insulation resistance: >1000MΩ/500V DC

3.Solderability

Vaporphase: 215°C, 30sec.Max

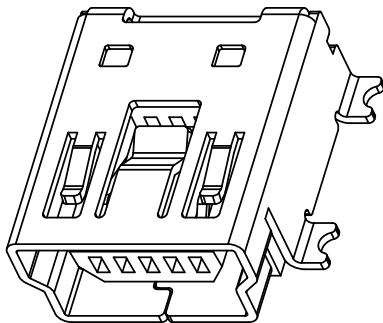
IR reflow: 250°C, 5sec.Max

Manual soldering: 370°C, 3sec.Max



4.Environmental Characteristics

Operating temperature: -40°C~+85°C

Operating humidity: 10%~+95%RH



ITEM	PART NAME	Q'TY	MATERIAL	FINISH
1	HOUSING	1	Hi-temp Thermoplastic	Black UL94V-0
2	SHELL	1	Stainless steel	Tin plated
3	TERMINAL	5	Copper Alloy	Contact area Gold plated

Unless otherwise specified, other tolerance are			 MUP INDUSTRIAL CO.,LTD.		
NAME		MINI USB Connector			
MODEL NO:		MUP-U503-1			
TYPE :		with post(SMT)			
PROJ.	UNIT	SCALE	DRAWN	Zoey Feb.27.2010	
	MM	1:1	CHECKED	Zoey Feb.27.2010	
CUSTOMER DRAWING			APPROVAL	Wang Feb.27.2010	
			DWG NO	DWG-MUP-U503-001	
			SHEET	1/1	
			REVISION	X1	

